



# MEETINGS & EVENTS

at Tantons Hotel, Bideford

The Tantons Hotel lies at the heart of historic Bideford, adjacent to the town centre and opposite the ancient bridge that crosses the river Torridge, whilst Bideford itself is geographically situated at the heart of North Devon.



**HAVING A PARTY!  
THEN WHY NOT CELEBRATE WITH US?**

## WE CATER FOR:

WEDDINGS  
BIRTHDAY PARTIES  
ANNIVERSARIES  
CHRISTENINGS  
OFFICE PARTIES  
AND MORE...



## ROOM HIRE RATES FROM:

Kipling Suite	£150.00
Raleigh Suite	£80.00
Grenville Suite	£70.00
Kingsley Suite	£60.00

Standard room hire includes: complimentary water, mints, pads and pens

## EQUIPMENT HIRE CHARGES:

Flipchart	£15.00
OHP & Screen	£35.00
LCD Projector	£180.00
Television & Video	£85.00
Portable CD Player	£25.00
PA System & Microphone	£155.00

Special equipment can be ordered on request. All above costs quoted in pounds sterling and include VAT.

## 24 HOUR PACKAGE RATES:

From £90.00 per person

## DAY DELEGATE RATES:

From £25.00 per person

Room hire of main meeting room	Room hire of main meeting room
OHP and screen	OHP and screen
Flipchart and pens	Flipchart and pens
Delegate pen, pad and tent card	Delegate pen, pad and tent card
Tea & coffee on arrival	Tea & coffee on arrival
Mid morning coffee, tea and muffins	Mid morning coffee, tea and muffins
2 - Course buffet lunch with coffee	2 - Course buffet lunch with coffee
Afternoon tea & coffee with cake bars	Afternoon tea & coffee with cake bars
3 - Course dinner with coffee	Bottled mineral water
Overnight accommodation	Mints
Full English breakfast	
Bottled mineral water	
Mints	

All bedrooms are fully en-suite with TV, Tea and Coffee making facilities, direct dial telephone and work space.



# MEETINGS & EVENTS

at Tantons Hotel, Bideford

We have amenities for Four Meeting Rooms, all with natural daylight, perfect for all requirements – from an annual sales conference, to a fast moving training course or board meeting.

Seating up to 120, the Kipling Suite is an ideal venue for a conference, seminar or banquet, whilst the Grenville room is more suitable for business meetings or training courses.



The Raleigh & Kingsley rooms are perfect for interviews, syndicates or just as break out rooms. The unique setting and décor of the Boardroom is ideal for executive board meeting.

## Conference Rooms - Capacities, Floor Plans & Dimensions

### CAPACITIES

#### KIPLING SUITE

Reception	100
Theatre	100
Banquet	80
Classroom	60
Boardroom	70

#### GRENVILLE

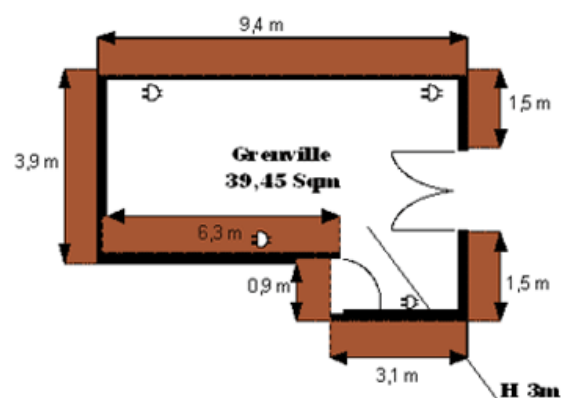
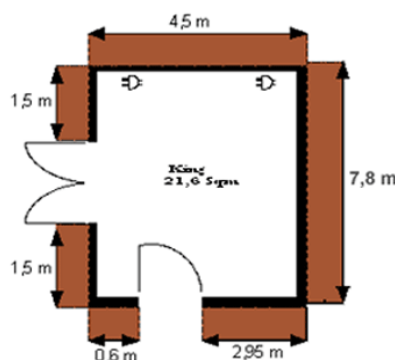
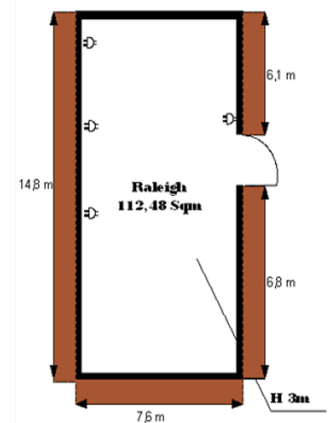
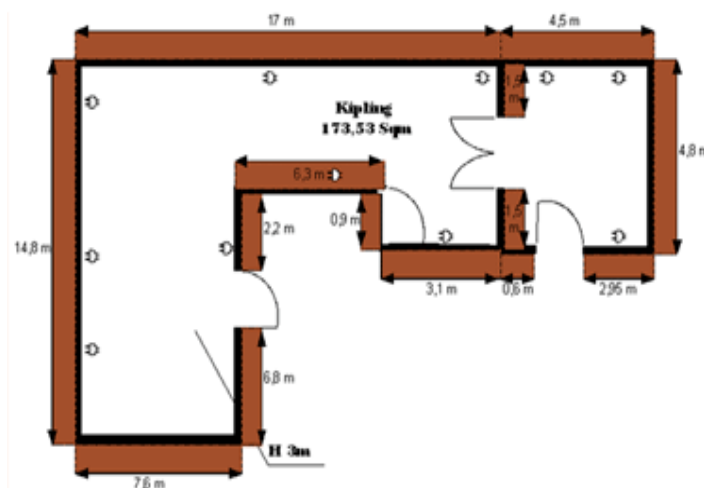
Theatre	30
Classroom	30
Boardroom	15

#### RALEIGH

Theatre	40
Classroom	40
Boardroom	20

#### KINGS

Theatre	10
---------	----





# MEETINGS & EVENTS

at Tantons Hotel, Bideford

We believe that the Tantons Hotel, Bideford is one of the best hotels in Bideford for both quality and value.

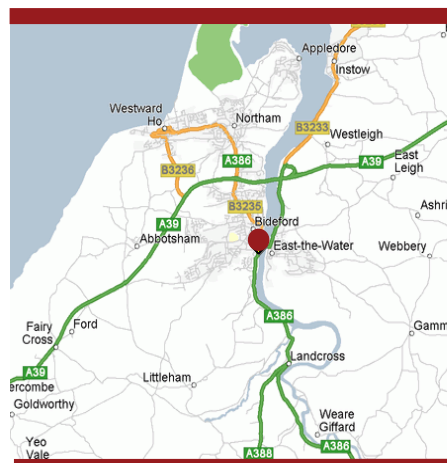
To make a booking call: 01237 473317  
or e-mail: info@tantonshotel.co.uk



**Tantons Hotel**  
New Road, Bideford,  
North Devon EX39 2HR

**TEL: 01237 473317**  
**FAX: 01237 473387**

**WWW.TANTONSHOTEL.CO.UK**



## LIGHT FINGER BUFFET MENU £4.95 PER PERSON

Assorted Sandwiches  
(Tuna, Egg Mayo, Ham, Cheese)  
Cold Drinks  
(Orange Juice or Cordial)  
Inc Tea/Coffee

## FINGER BUFFET MENU 2 6 ITEMS - £9.00 PER PERSON

Assorted Sandwiches  
Potato Wedges  
Cajun Spiced Drumsticks  
Scotch Eggs  
Mini Vegetable Spring Rolls  
Vegetable Samosas  
Cheese & Tomato Pizza  
Selection of Crisps & Nuts

## DESSERTS - £3.95 PER PERSON

Chocolate Brownie  
Treacle & Apple Tart  
White Choc & Ginger Cheesecake  
Chocolate Gateau  
Raspberry Sherry Trifle

**HOT FORK BUFFET & HOT & COLD  
MEAT BUFFET AVAILABLE AT  
REQUESTS OF 40 DELEGATES  
AND ABOVE**

### Hotel:

- 52 En-suite bedrooms
- Free Wi-Fi in public areas
- Lift access
- Dino's Grill House & Lounge Bar

### Accommodation:

- Tea/Coffee making facilities
- Hair dryer
- Television
- En-suite bathroom

### Nearest Places of Interest:

- Lundy Island
- The Big Sheep
- Hartland Abbey & Gardens
- The Milky Way
- Atlantic Village
- Royal North Devon Golf Club
- Barnstaple

### Getting There:

Leave the M5 at junction 27 and follow the A361/A39 'Link Road' west to Bideford for 46 miles. After you have crossed the Torridge River via a high-arched concrete bridge, turn left at the next roundabout and follow the road into Bideford for about 1 mile until you find yourself driving along the quayside. At the approach to the old stone bridge, drive straight across the mini-roundabout and you will find Tantons Hotel 20 Yards ahead on your right.